

## Product Overview

The LSE series of moment insensitive single point load cells were primarily engineered for use and integration within industrial and laboratory scales, they are however equally suited for use in a wide range of force measurement applications.

The design of the LSE accompanied by the volume manufacturing techniques employed to build this series of load cells makes it an ideal solution for applications where low forces are to be measured within a tight budget.

Environmental sealing to IP65 gives the series added protection when in use in damp or wet environments, whilst overload stops are easily employed to give added mechanical protection.

The LSE are constructed from anodised aluminium alloy, giving it a low self-weight. The LSE range is provided with sense wires for compensation of voltage drops along the load cell cable. For more arduous applications an IP67 version is available.

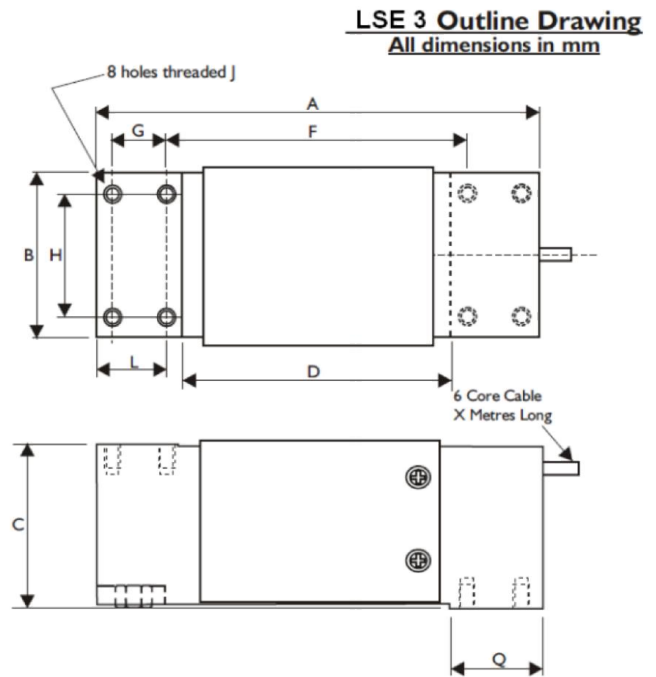
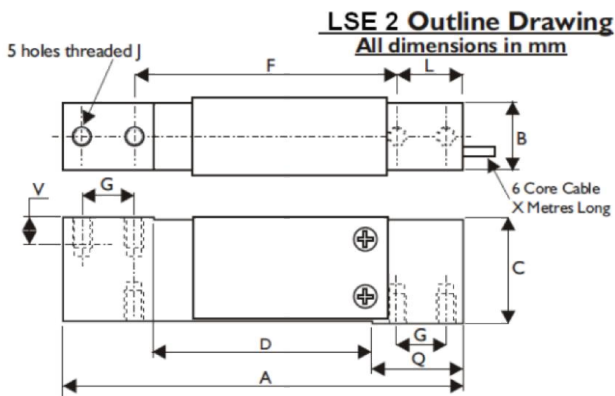
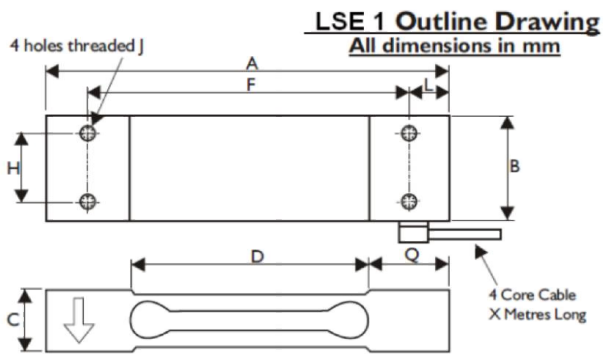


## System Specification

CHARACTERISTICS	LSE 1	LSE 2	LSE 3	UNITS
Rated Capacity	0.5, 1, 2, 3, 5, 7, 19, 15, 20, 30, 35	5, 7, 10, 15, 20, 30, 50, 75, 100	50, 75, 100, 150, 200, 300, 500, 635, 1000	kg
Rated Output	2 ± 1% 91.5 norm below 2kg)	2.0±10%		mV/V
Maximum Platform Dimensions	200 X 200 (0.5 to 1KG) 350 x 350 (3 to 35kg)	400 x 400	600 x 600	mm
Excitation Voltage Recommended		10		VDC or VAC
Maximum		15		VDC or VAC
Non-Linearity		<0.03		±% of Rated Capacity
Hysteresis		<0.02		% of Rated Capacity
Repeatability		<0.02		±% of Rated Capacity
Zero Return (Creep):		<0.03		±% of Rated Capacity
Zero Balance	<1.0	<10.0		±% of Rated Capacity
Temperature Range Operating:	-20 to +80	-30 to +70		°C
Compensated	-10 to +70	-10 to +40		°C
Temperature Effects On Output:	<0.002	<0.0015		±% of Applied Load/°C
On Zero:	<0.002	<0.006		±% of Rated Capacity/°C
Input Resistance:	380 ±20	415 ±15		ohms
Output Resistance	250 ±5	350 ±3		
Environmental Protection:	IP65			

Data sheet LSE – 07/2014. All dimensions are in mm. Details may change without notice

## Dimensions



MODEL	RANGE (kg)	A	B	C	D	F	G	H	L	Q	V	X	J
LSE 1	0.5, 1, 2	70	15	22	46	58	-	7	6	12	-	0.5	M3x0.5- 22 deep
LSE 1	3, 5, 7	130	25.4	22	80	106	-	15	12	25	-	0.5	M6x1- 22 deep
LSE 1	10, 15, 20, 30	130	30	22	80	106	-	15	12	25	-	0.5	M6x1- 22 deep
LSE 1	35	130	40	22	80	106	-	15	12	25	-	0.5	M6x1- 22 deep
LSE 2	5, 10, 15, 20, 30, 50, 75, 100	150	25.4	40	82	100	19.05	-	25	34	10.5	1.0	M6x1- 10 deep
LSE 3	50, 100, 200, 300, 500, 1000	191	76.2	75	111	125	25	60	33	40	-	3.0	M8x1.25- 15 deep

## Wiring Details

