

TCO Series - Clamp-on Rotary Torque System

Product Overview

Versatility is the keyword for this robust system, which has evolved from IML's extensive Torque measuring experience. There is an increasing need for temporary measurement of Torque, Thrust and other parameters and this system provides a very cost-effective tool.

It is easily transferred from shaft to shaft and requires little adjustment via chain links to allow for different shaft diameters. Each shaft requires Strain Gauge bonding, which can be done by us or a local engineering company.

If the shaft is available at IML, we can fit the system and calibrate it to better than $\pm 1\%$. Various instrumentation options are also available.

Alternate packages are available to suit our customer's requirements and application.

For more information about the TCO Series and other Clamp-on Rotary Torque Systems, visit www.indmeas.co.uk, or for a quote, call +44 (0) 1332 810 240 or email sales@indmeas.co.uk.

System Specifications:

Amplifier / Transmitter Module

Bridge Input:	Adjustable: 0.5 - 200mV/V
Bridge excitation voltage:	9V
Minimum bridge resistance:	700 ohms
Signal transmission frequency:	433MHz
Frequency response:	12Hz
Shunt calibration resistor:	User selectable
Operating temperature:	10°C to 60°C (0 to 70°C without damage)
Zero drift:	$\pm 0.01\%$ fsr/C°
Gain drift:	$\pm 0.01\%$ fsr/C° (10 to 50°C)
Dimensions:	60 x 60 x 25mm

Battery Module

Life:	10 hours between charges (2000 ohm bridge)
Dimensions:	60 x 60 x 25mm

Industrial Measurements Ltd

Watling Drive
Sketchley Meadows
Hinckley LE10 3EY
Tel: +44(0) 1332 810 240
sales@indmeas.co.uk
www.indmeas.co.uk



System Specifications:

Receiver Unit

Indicator: Signal low
Aerial: Box mounted

Signal Conditioning Unit

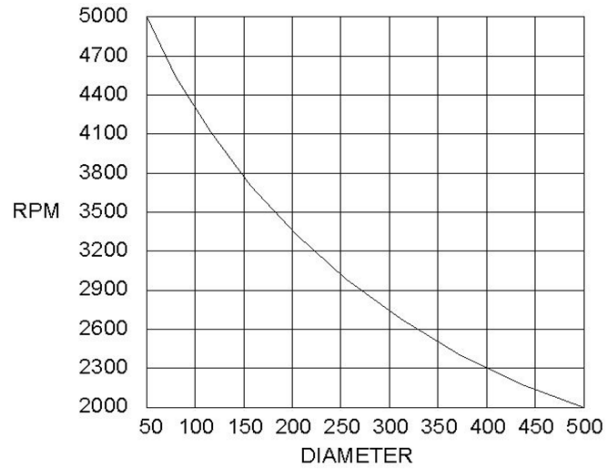
Optional display: Digital, custom scaling
Supply: 110/230V ac (user selectable)
BNC Output: 10V
Signal/noise ratio: 46dB or better
Integral battery charger for battery module

Options

Speed measurement, PC Software, Battery-powered Hand-held meter with digital readout.

Shaft Diameters

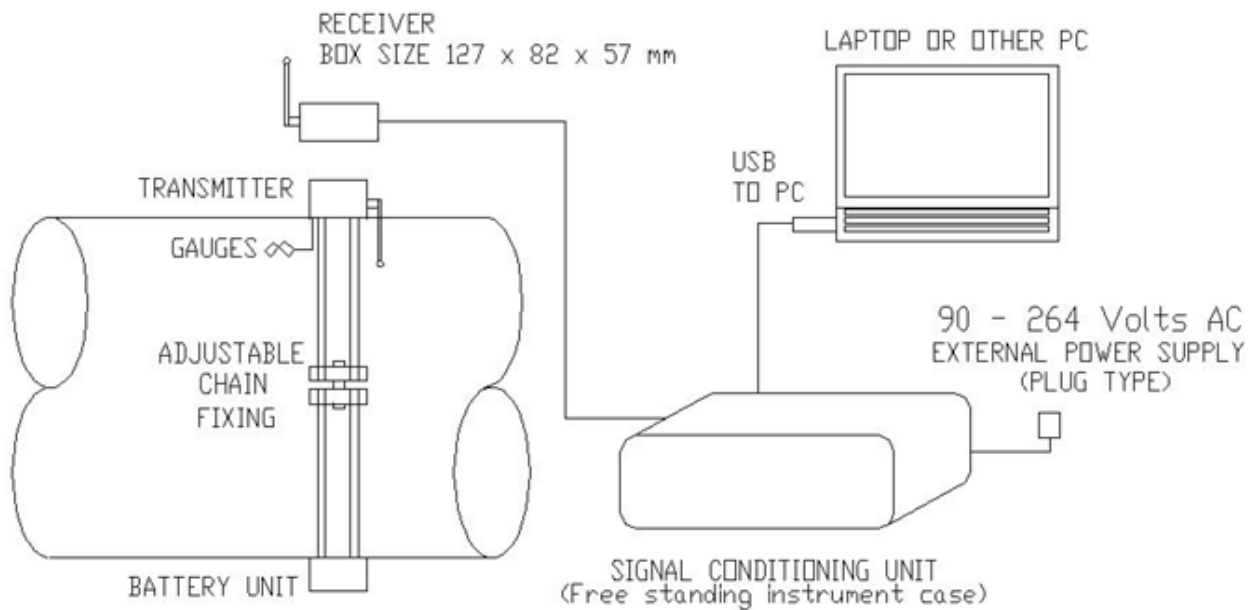
Min shaft diameter without shaft adaptors: 55mm.
Maximum speeds are shown on the graph on the right.



NOTE-

The TCO can only be considered if the Speed vs Shaft diameter relationship is below the line shown in the graph opposite.

System Schematic



Industrial Measurements Ltd

Watling Drive
Sketchley Meadows
Hinckley LE10 3EY
Tel: +44(0) 1332 810 240
sales@indmeas.co.uk
www.indmeas.co.uk

