

TLH / TLHA - In-line Rotary Torque Transducers

Product Overview

The TLH and TLHA Torque Transducers provide accurate Torque measurement for tool testing applications across numerous industries, for speeds of up to 2,000rpm.

The TLH series have a slip-ring data transmission system and a quick-action clutch for ease of use. These quarter-inch hex drive Torque Transducers are reliable and robust. The TLHA models also include Angle measurement capabilities.

System Specifications:

Accuracy class:	0.1	Bridge resistance:	350 ohms
Sensitivity (1 Nm):	0.5 mV/V	Nominal Temp:	-10 to +60°C
Sensitivity (other ratings):	1 mV/V	Overload Capacity:	150% fs
Repeatability:	±0.05% fs	Durability of Brushes:	5 x 10 ⁷ .rev
Excitation Voltage:	2 to 12Vdc	Protection:	IP50
Excitation Voltage (angle):	5 Vdc	Speed/Angle Measurement (TLHA):	2X 360° impulse, 90° displaced 5V TTL

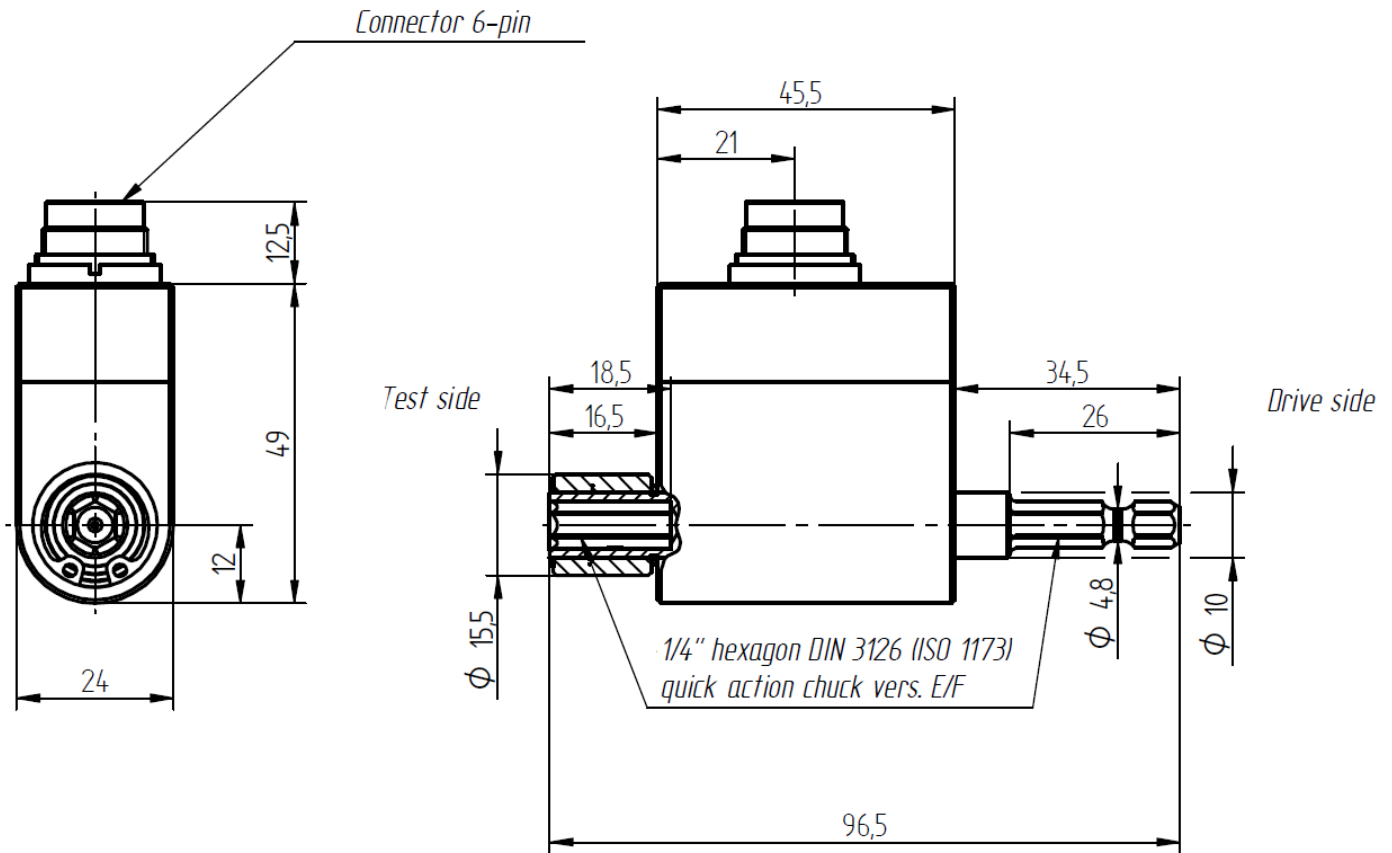
Industrial Measurements Ltd

Watling Drive
Sketchley Meadows
Hinckley LE10 3EY
Tel: +44(0) 1332 810 240
sales@indmeas.co.uk
www.indmeas.co.uk



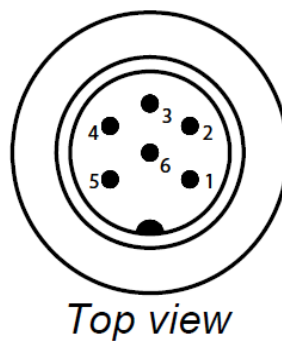
Dimensions

TLH Torque Transducer



Wiring Details

PIN	Designation
1	Excitation (-)
2	Excitation (+)
3	Shield
4	Signal (+)
5	Signal (GND)
6	Control Signal (Option)



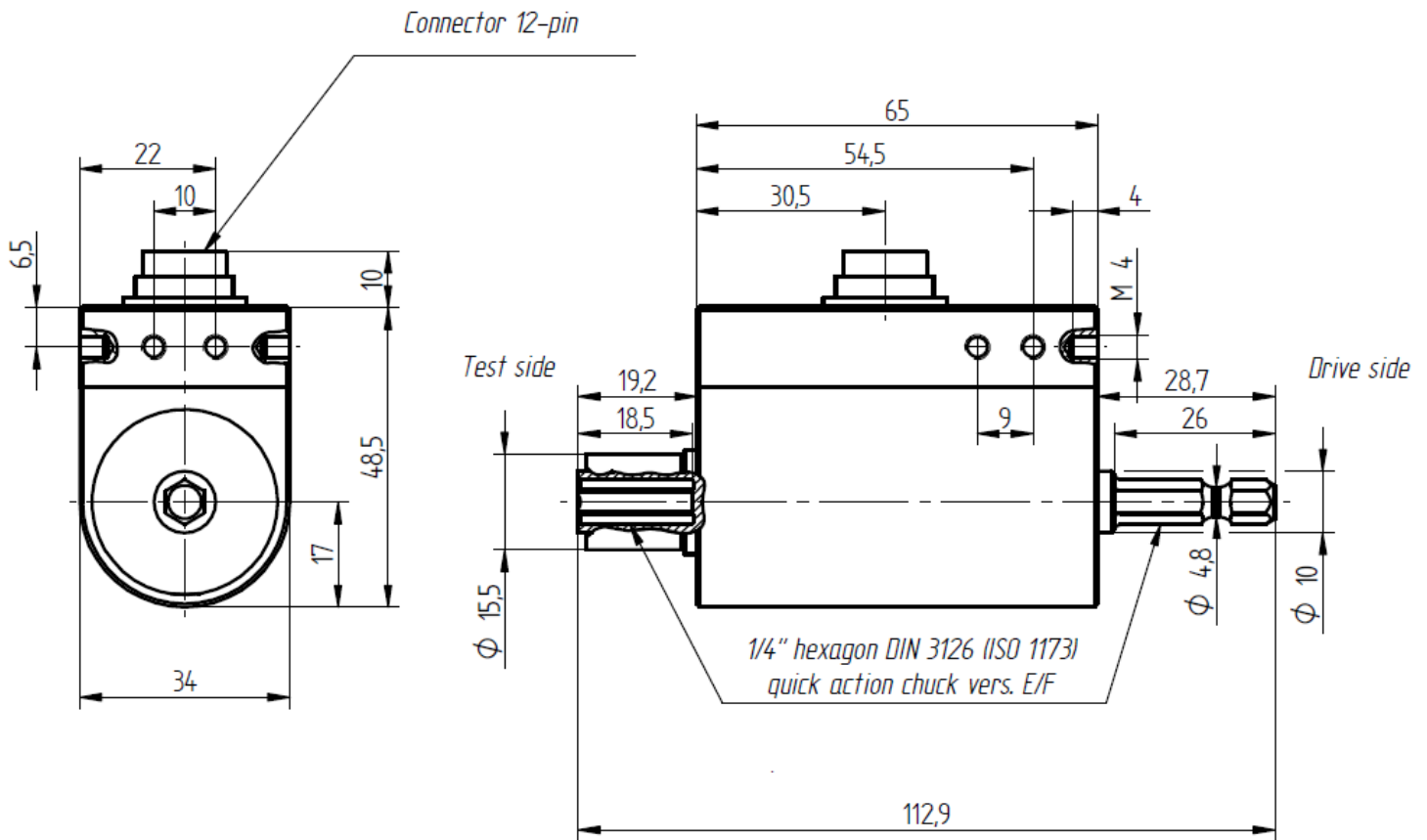
Industrial Measurements Ltd

Watling Drive
 Sketchley Meadows
 Hinckley LE10 3EY
 Tel: +44(0) 1332 810 240
 sales@indmeas.co.uk
 www.indmeas.co.uk



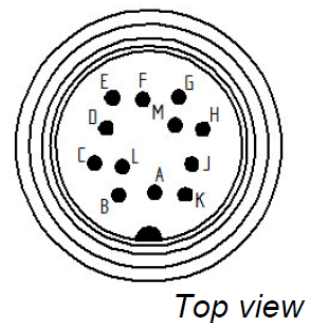
Dimensions

TLHA Torque Transducer



Wiring Details

PIN	Designation		
A	Excitation (GND)	G	Signal angle A (5V TTL)
B	Excitation (+)	H	Signal angle B (5V TTL)
C	Signal (+)	J	Signal angle (GND)
D	Signal (GND)	K	Calibration control (Option)
E	Excitation angle (GND)	L	N/C
F	Excitation angle (5V)	M	Shield



Industrial Measurements Ltd

Watling Drive
 Sketchley Meadows
 Hinckley LE10 3EY
 Tel: +44(0) 1332 810 240
 sales@indmeas.co.uk
 www.indmeas.co.uk



Providing custom torque solutions. Industrial Measurements Ltd.

Founded in 1981, IML (Industrial Measurements Limited) have been providing comprehensive Torque measurement solutions and the design & manufacture of standard and bespoke Torque Transducers, for over 35 years.

We pride ourselves on being able to provide a solution no matter what the challenge. As well our standard products such as Inline Rotary Torque Transducers & Static Torque Systems, we are devoted to designing and manufacturing completely bespoke Torque systems to suit our customers needs.

As well as offering one of the largest ranges of Torque Transducers in the world, IML makes special Torque Sensors, Torque Meters and Load Cells. IML also provides a fully accredited Torque calibration service, not just for our own products but for other manufacturers Torque products too.

Whilst IML's head office is based in the UK, we have customers from all over the world, in particular Western Europe and we are always looking to extend our customer base and offer support and technical advice to all current and future customers.

The knowledge and commitment of our dedicated employees has aided in building a quality customer base across the globe and we supply several industries including Marine & Offshore, Steel Plants, Automotive, Aerospace, Power Generation and much more.

Since 2009, IML has been a part of the Crane Group, alongside Crane Electronics Ltd, our sister company based in Hinckley, Leicestershire.



For more information about the TLH range or for a quote, call +44 (0) 1332 810 240 or email sales@indmeas.co.uk.

IML, providing custom torque solutions

Industrial Measurements Ltd
Watling Drive
Sketchley Meadows
Hinckley LE10 3EY
Tel: +44(0) 1332 810 240
sales@indmeas.co.uk
www.indmeas.co.uk

