

TRP & TRP-CLT - Torque Transducer

Product Overview

The TRP series of versatile In-line Rotary Torque Transducers provide accurate and cost-effective 'in-line' Torque measurement.

The units incorporate silver slip rings and silver-graphite brush-gear for Strain Gauge bridge power and signal transmission. Options include speed measurement, torsionally stiff flexible couplings and a range of digital readouts and amplifiers. Intermediate ratings are also available at no extra cost.

System Specifications:

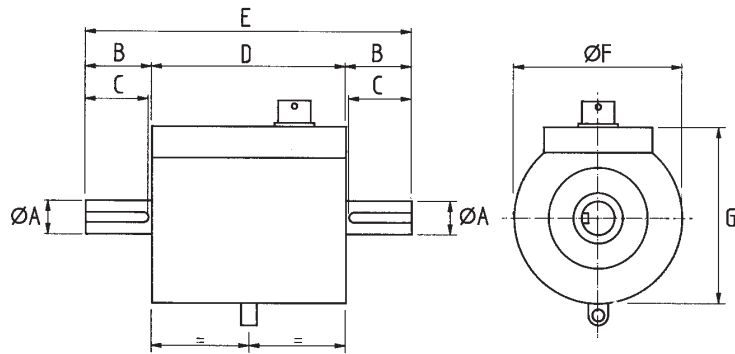
Nominal Sensitivity:	1.5mV/V (1Nm unit is 1.0 mV/V)	Hysteresis:	±0.1% fs
Accuracy:	±0.25% FS (10%-100% FS)	Operating Temp:	0 to +80°C
Overload Capacity:	150% fs	Compensated Range:	20 to +60°C
Bridge Supply:	10V	Storage Temp:	-30 to +90°C
Bridge Resistance:	350 ohms	Zero Shift:	<±0.01%/°C
Non-linearity:	±0.1% fs	Span Shift:	<±0.02%/°C
Repeatability:	±0.05% fs		

Industrial Measurements Ltd

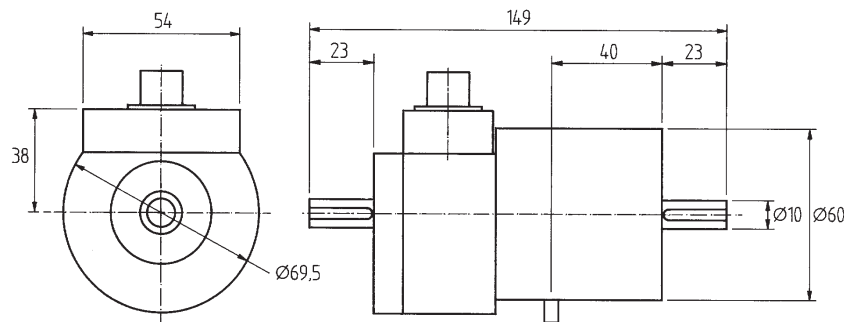
Watling Drive
Sketchley Meadows
Hinckley LE10 3EY
Tel: +44(0) 1332 810 240
sales@indmeas.co.uk
www.indmeas.co.uk



Dimensions



Model No.	Stock Range	Max Speed	A	B	C	D	E	F	G
TRP-5	5Nm	8000	12	26,5	23	65	118	60	65
TRP-10	10Nm	8000	12	26,5	23	65	118	60	65
TRP-50	50Nm	8000	12	26,5	23	65	118	60	65
TRP-100	100Nm	6000	20	53	45	108	215	102	95
TRP-250	250Nm	6000	25	53	45	108	215	102	95
TRP-500	500Nm	6000	30	53	45	108	215	102	95
TRP-1K	1KNm	6000	35	53	45	108	215	102	95
TRP-2K	2KNm	3000	50	71	66	170	312	177	174
TRP-5K	5KNm	3000	60	100	95	170	370	190	188



Model No.	Range	Max Speed
TRP-CLT-1	2Nm	8000
TRP-CLT-5	5Nm	8000
TRP-CLT-10	10Nm	8000

For more information about the TRP range or for a quote, call +44 (0) 1332 810 240 or email sales@indmeas.co.uk.

IML, providing custom torque solutions

Industrial Measurements Ltd
Watling Drive
Sketchley Meadows
Hinckley LE10 3EY
Tel: +44(0) 1332 810 240
sales@indmeas.co.uk
www.indmeas.co.uk

