

TSF / TSFA - Torque Reaction Transducers

Product Overview

The TSF range of Torque Transducers provides a cost-effective solution to static or semi-Rotary Torque measuring problems.

Intermediate and larger sizes are available. An aluminium version is also available where weight is of concern. All units are internally strain gauged for protection and a range of readouts and amplifiers are available for the complete range of TSF Transducers.

System Specifications:

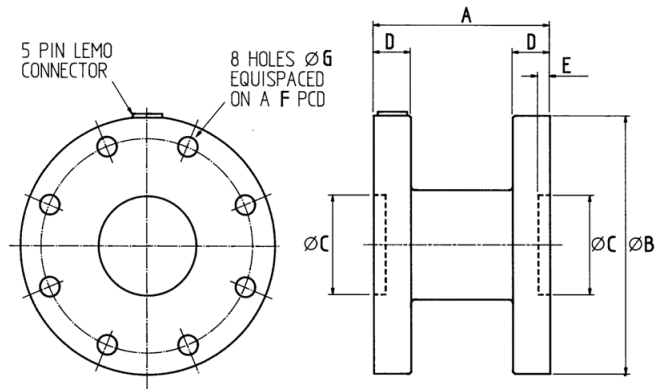
Nominal Sensitivity:	1.5mV/V	Non-linearity:	±0.1% fs
Compensated Range:	0 to +95°C	Overload Capacity:	150% fs
Repeatability:	±0.05% FS	Storage Temp:	-30 to +95°C
Bridge Supply:	10V	Hysteresis:	±0.1% fs
Zero Shift:	< ±0.01%/C°	Bridge Resistance:	700 ohms
Operating Temp:	0 to +95°C	Span Shift:	< ±0.02%/C°
Tolerance on C diameter:	H7	Accuracy:	0.25% FS

Industrial Measurements Ltd

Watling Drive
Sketchley Meadows
Hinckley LE10 3EY
Tel: +44(0) 1332 810 240
sales@indmeas.co.uk
www.indmeas.co.uk



Dimensions



Aluminium Alloy Range

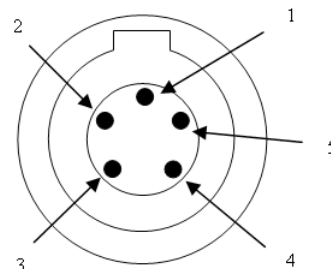
Model	Size	A	B	C	D	E	F	G
TSFA-50	50 Nm	60	75	32	15	3	60	6,5
TSFA-100	100 Nm	60	75	32	15	3	60	6,5
TSFA-200	200 Nm	75	100	38	15	3	83	8,5
TSFA-500	500 Nm	75	100	38	15	3	83	8,5
TSFA-1k	1.0 kNm	90	130	50	19	6	108	10,5
TSFA-2k	2.0 kNm	90	130	50	19	6	108	10,5
TSFA-3k	3.0 kNm	120	160	70	22	7	130	12,5
TSFA-4k	4.0 kNm	120	160	70	22	7	130	12,5

Steel Range

Model	Size	A	B	C	D	E	F	G
TSF-200	200 Nm	75	100	38	15	3	83	8,2
TSF-500	500 Nm	75	100	38	15	3	83	8,2
TSF-1k	1.0 kNm	90	130	50	19	6	108	10,2
TSF-2.5k	2.5 kNm	90	130	50	19	6	108	10,2
TSF-5k	5 kNm	190	205	90	32	8	165	16,2
TSF-10k	10 kNm	190	205	90	32	8	165	16,2
TSF-20k	20 kNm	216	250	102	32	8	203	20,5
TSF-30k	30 kNm	226	355	152	50	8	280	26
TSF-50k	50 kNm	226	355	152	50	8	280	26

Wiring Details

PIN	Designation
1	Excitation (+)
2	Excitation (-)
3	Signal (-)
4	Signal (+)
5	N/C



For more information about the TSF range or for a quote, call +44 (0) 1332 810 240 or email sales@indmeas.co.uk.

Industrial Measurements Ltd

Watling Drive
Sketchley Meadows
Hinckley LE10 3EY
Tel: +44(0) 1332 810 240
sales@indmeas.co.uk
www.indmeas.co.uk

