



TSFF - Static Torque Reaction Transducer

Product Overview

This style of Torque Transducer has been produced for the Offshore Industry for several years and it is now been given the TSFF label. There are a number of existing sizes but different combinations of rating, square and flange are available at very little or no extra cost.

For flange to male squares see the TSSF range. A range of optional readouts and amplifiers is available for these Transducers. The Transducer is also available with gauge coatings suitable for subsea installations.

System Specifications:

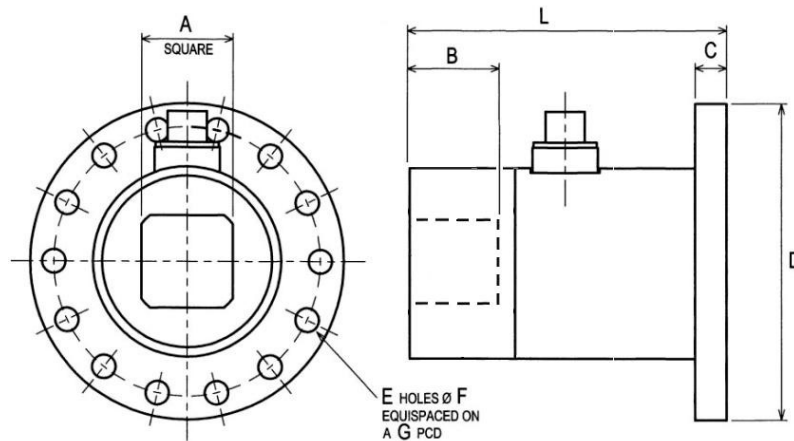
Nominal Sensitivity:	1.5mV/V (1Nm unit is 1.0 mV/V)	Repeatability:	±0.1% fs
Accuracy:	±1.0% of Reading	Operating Temp:	0 to +80°C
Overload Capacity:	150% fs	Compensated Range:	20 to +60°C
Bridge Supply:	10V	Storage Temp:	-30 to +90°C
Bridge Resistance:	700 ohms	Zero Shift:	< ±0.01%/C°
Non-linearity:	±0.2% fs	Span Shift:	< ±0.02%/C°
Hysteresis:	±0.1% fs		

Industrial Measurements Ltd

Watling Drive
Sketchley Meadows
Hinckley LE10 3EY
Tel: +44(0) 1332 810 240
sales@indmeas.co.uk
www.indmeas.co.uk



Dimensions



MODEL	RATING Nm	A	B	C	D	E	F	G	L
TSFF 0.5"	160	0.5"	16	12	80	8	6.5	65	75
TSFF 1.0"	1000	1"	28.6	15	120	8	10.2	100	120
TSFF 1.5"/3k	3000	1.5"	41.5	15	140	8	12.2	115	150
TSFF 1.5"/5k	5000	1.5"	41.5	15	140	8	12.2	115	150
TSFF 2.5"/10k	10000	2.5"	58	25	215	16	16.5	180	185
TSFF 2.5"/30k	30000	2.5"	58	25	215	16	16.5	180	185
TSSF3.5"	75,000	3.5"	on request						

UK09/2017v1 - TSFF-CN-024

For more information about the TSFF range or for a quote, call +44 (0) 1332 810 240 or email sales@indmeas.co.uk.

IML, providing custom torque solutions

Industrial Measurements Ltd
 Watling Drive
 Sketchley Meadows
 Hinckley LE10 3EY
 Tel: +44(0) 1332 810 240
sales@indmeas.co.uk
www.indmeas.co.uk

