

# TSSF - Static Torque Reaction Transducer

## Product Overview

The TSSF style of Torque Transducer has been produced for the Offshore Industry for several years and it is now given the TSSF label. There are a number of existing sizes but different combinations of square and flange are available at very little extra cost.

A range of readouts and amplifiers is available for these Transducers. The Transducer is also available with gauge coatings suitable for subsea installations.

### System Specifications:

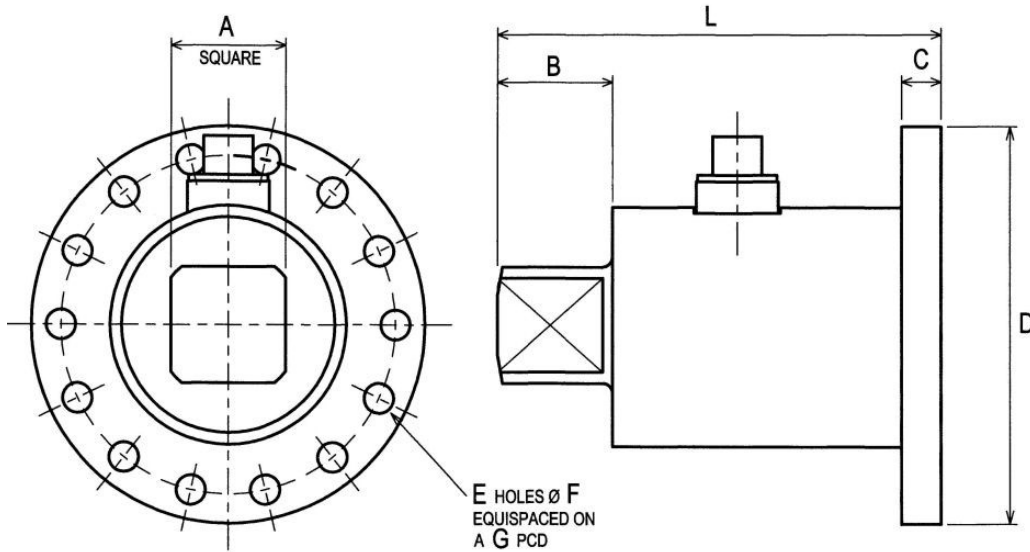
Nominal Sensitivity:	1.5mV/V	Non-linearity:	±0.2% fs
Compensated Range:	20 to +60°C	Operating Temp:	0 to +80°C
Overload Capacity:	150% fs	Repeatability:	±0.1% fs
Storage Temp:	-30 to +90°C	Accuracy:	±1.0% fs
Hysteresis:	±0.2% fs	Zero Shift:	< ±0.01%/C°
Bridge Supply:	10V	Span Shift:	< ±0.02%/C°
Bridge Resistance:	700 ohms		

### Industrial Measurements Ltd

Watling Drive  
Sketchley Meadows  
Hinckley LE10 3EY  
Tel: +44(0) 1332 810 240  
sales@indmeas.co.uk  
www.indmeas.co.uk



## Dimensions



Model No.	Size	A	B	C	D	E	ØF	G	L
TSSF-300/0.75"	150/300Nm	19.05	20	6	68	8	6.5	55	75
TSSF-300/1"	300Nm	25.4	46	12	120	14	9	102	146
TSSF-3k/35mm	1/2/3 kNm	35	35	12	120	14	9	102	135
TSSF-3k/1.5"	3.0kNm	38	38	12	120	14	9	102	146
TSSF-7k/2"	7.0kNm	50.8	63.5	20	160	10	10.2	125	224

UK10/2017v1 - TSSF-CN-024

For more information about the TSSF range or for a quote, call +44 (0) 1332 810 240 or email [sales@indmeas.co.uk](mailto:sales@indmeas.co.uk).

# IML, providing custom torque solutions

**Industrial Measurements Ltd**  
 Watling Drive  
 Sketchley Meadows  
 Hinckley LE10 3EY  
 Tel: +44(0) 1332 810 240  
[sales@indmeas.co.uk](mailto:sales@indmeas.co.uk)  
[www.indmeas.co.uk](http://www.indmeas.co.uk)

