



TSSS - Static Torque Reaction Transducer

Product Overview

This style of Torque Transducer has been produced for the Offshore Industry for several years and it is now given the TSSS label. There are a number of different square sizes available at very little extra cost.

The TSSS range of Torque Reaction Cells provides a cost-effective solution to static or semi-rotary Torque measuring problems. A range of readouts and amplifiers are available for these Transducers. The Transducer is also available with gauge coatings suitable for subsea installations.

System Specifications:

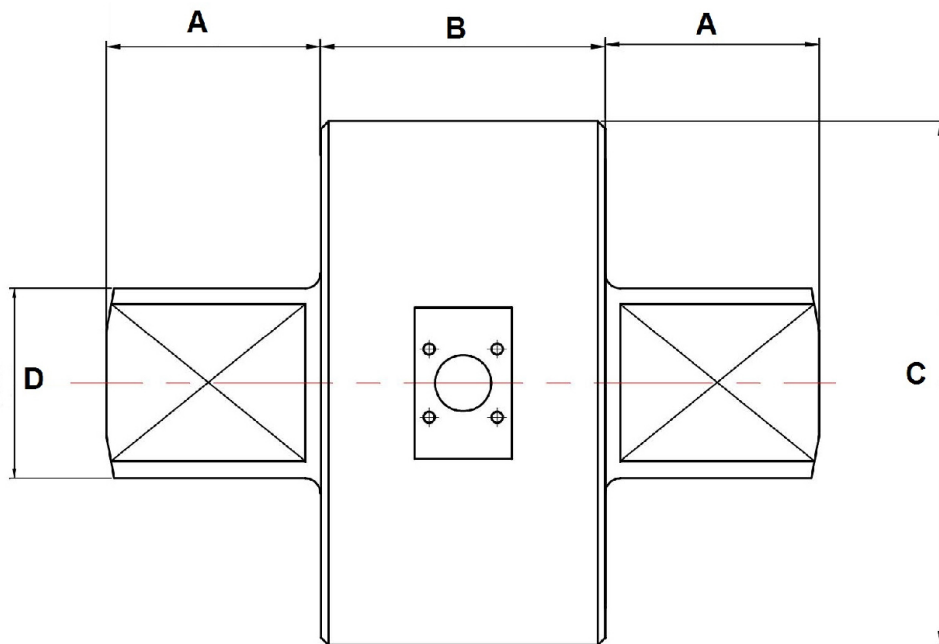
Nominal Sensitivity:	1.5mV/V	Non-linearity:	±0.2% fs
Compensated Range:	20 to +60°C	Operating Temp:	0 to +80°C
Overload Capacity:	150% fs	Repeatability:	±0.1% fs
Storage Temp:	-30 to +90°C	Accuracy:	±1.0% fs
Hysteresis:	±0.2% fs	Zero Shift:	< ±0.01%/C°
Bridge Supply:	10V	Span Shift:	< ±0.02%/C°
Bridge Resistance:	1050 ohms		

Industrial Measurements Ltd

Watling Drive
Sketchley Meadows
Hinckley LE10 3EY
Tel: +44(0) 1332 810 240
sales@indmeas.co.uk
www.indmeas.co.uk



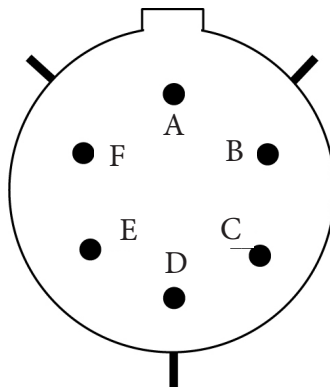
Dimensions



MODEL	RATING NM	A	B	C	D
TSSS-15klbft	20000	57	76	140	51
TSSS-100klbft	135000	86.5	100.5	182	89
TSSS-200klbft	271000	86.5	100.5	243	152

Wiring Details

PIN	Designation
A	Excitation (+)
B	Sense (+)
C	Excitation (-)
D	Sense (-)
E	Signal (-)
F	Signal (+)



For more information about the TSSS range or for a quote, call +44 (0) 1332 810 240 or email sales@indmeas.co.uk.

IML, providing custom torque solutions

Industrial Measurements Ltd
 Watling Drive
 Sketchley Meadows
 Hinckley LE10 3EY
 Tel: +44(0) 1332 810 240
sales@indmeas.co.uk
www.indmeas.co.uk

